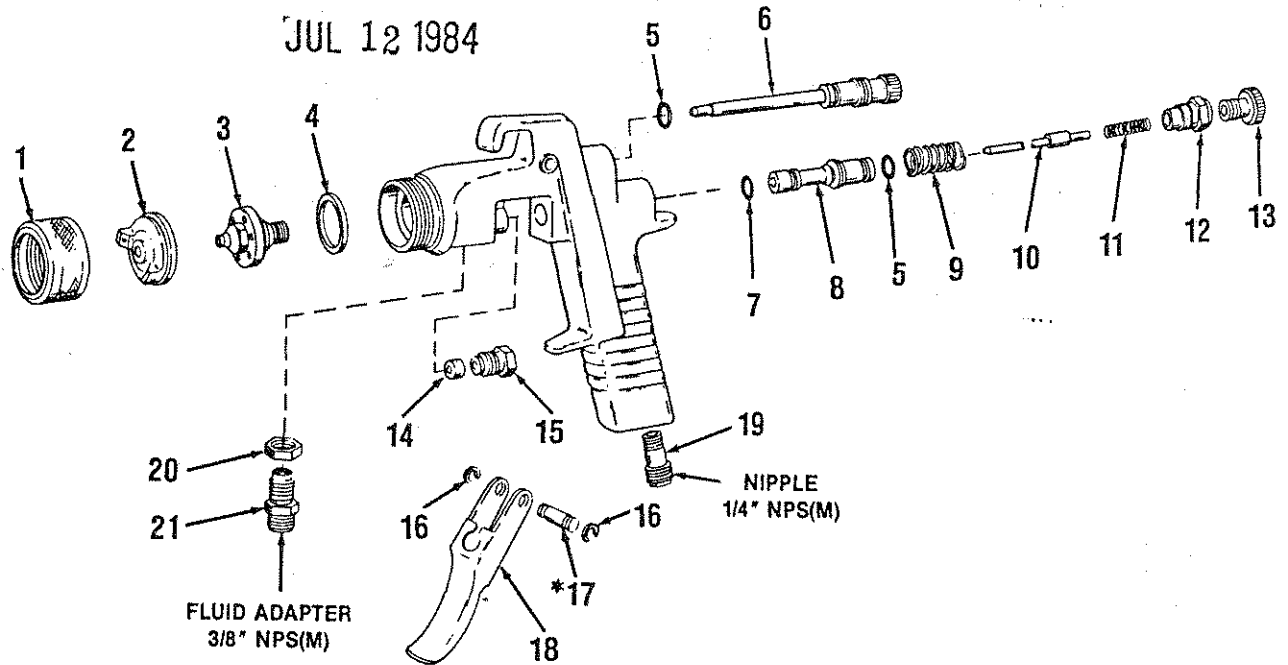




## SGA-510 Spray Gun

DeVILBISS - CLEVELAND

JUL 12 1984



Ref. No.	Replacement Part No.	Description	Qty.	Ref. No.	Replacement Part No.	Description	Qty.
1	SGA-61	Retaining Ring (See Note)	1	12	SGB-16-K3	Retaining Nut	1
2	31767-043	Air Cap	1	13	SGB-14	Fluid Needle Adjusting Screw	1
3	SGA-56	Fluid Tip	1	*14	SGB-15-K5	Fluid Needle Packing	1
* 4	SGA-58-K5	Fluid Tip Gasket	1	15	SGB-13-K3	Packing Retainer	1
* 5	23162-024-K10	"O" Ring	2	*16	SST-8416	Snap Ring	2
6	SGA-426	Horn Air Valve Assembly	1	*17	SGA-16	Stud	1
* 7	SS-2666-K5	"O" Ring	1	18	SGA-27	Trigger	1
* 8	SGB-408	Valve Stem & Gasket Assembly	1	19	P-TGA-29	Nipple	1
9	SGB-32-2-K10	Air Valve Spring	1	20	SGD-2	Locknut	1
10	SGA-425	Needle Assembly	1	21	SGD-1	Fluid Adapter	1
11	CGA-40-K5	Spring	1				

Suffixes -K3, -K5, -K10 designate kits of multiple parts.  
Example: SGA-58-K5 is a kit of five gaskets.

**Note:** Retaining ring (1) is unique to the SGA-510 gun. No other retaining ring of DeVilbiss manufacture will fit this gun properly.

\*A sufficient quantity of parts is included in repair kit KK-4357 for complete gun repair.

## FOR PARTS PURCHASE

Contact your local distributor. See the  
"Yellow Pages" of your telephone directory.

## SPECIFICATIONS

Air Inlet ..... 1/4 NPS(M)  
 Fluid Inlet ..... 3/8 NPS(M)

## SERVICE NOTES

For guide on air spray gun maintenance, see Service Bulletin SB-F-2-001.

For complete guide on air spray gun, order free Service Bulletin SB-2-001.

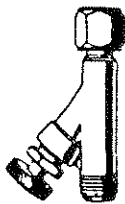
Strain material thru 60 or 90 mesh screen.

To clean fluid passages, remove excess material at source, then flush with a suitable solvent. Wipe exterior with a solvent soaked cloth.

To clean air cap, use a stiff bristle brush. If necessary, use a broom straw or toothpick. Never use a wire or hard instrument. This may scratch or burr holes causing a distorted spray pattern.

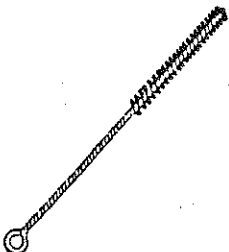
## ACCESSORIES

**P-H-5516 AIR ADJUSTING VALVE**




Enables user to control and reduce air usage at the gun. Ideal for low pressure spraying.

**CLEANING BRUSHES**  
 42884-214-K5 (3/8 Dia.)  
 42884-215-K10 (5/8Dia.)



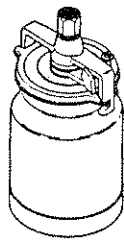
These brushes are helpful in cleaning threads and recesses of gun body.

**WRENCH SGA-29**



Contains all necessary tip, hose and nut sizes used on or with gun.

**TGC-545 ALUMINUM SUCTION CUP**



Has patent-pending drip-free feature.  
 Capacity.....1 quart

**HLF-501 FILTER/REGULATOR**  
 Combination air filter and regulator for general utility. Capacity, 40 cfm.  
 Max Inlet pressure, 250 psi.  
 Max regulated outlet pressure, 125 psi.  
 Inlet connection, 1/4 npt (F).  
 Outlet connection, 1/4 nps (M).

**HA-2125 and HA-2150 AIR HOSE ASSEMBLY**  
 Air supply hose available in 25 and 50 foot lengths. Hose connections are reusable.

## DISTRIBUTION CENTERS

DeVilbiss has authorized distributors throughout the world. For Equipment, parts and service, check the yellow pages under "Spray Equipment" and "Com-

pressors." If further assistance is required, write or call one of the following DeVilbiss Distribution Centers or Sales Offices nearest you.

Distribution Center	Address	Telephone No.
ATLANTA, GA 30336	520 Wharton Circle, P.O. Box 43226, Industrial Branch	(404) 696-4940
*CLEVELAND, OH 44142	15401 Commerce Park Drive	(216) 267-6525
*ELMHURST (Chicago), IL 60126	747 Church Rd. Bldg. G-12A	(312) 833-5850
IRVING (Dallas), TX 75038	1520 Walnut Hill Lane	(214) 252-8581
NORWALK (Los Angeles), CA 90650	13547 Pumice Street	(213) 921-6114
PISCATAWAY, NJ 08854	45 Colonial Road, P.O. Box 399	(201) 981-0171
*SAN JOSE, CA 95112	1445 Koll Circle, Suite 111	(408) 288-8780

\*Sales Office Only

**THE DEVILBISS COMPANY**  
**TOLEDO, OHIO 43692**

Division of Champion Spark Plug Company

Printed in U.S.A.

**CAUTION**

The Air Valve Assembly (6) is under pressure whenever the gun is triggered. If this valve is turned out too far, it may leave the gun forcefully when the gun is triggered. Also, the "O" ring (5) may be damaged if the valve is turned out past the first thread. Do not turn the valve past the first thread — there will be no effect on the spray pattern after that position.