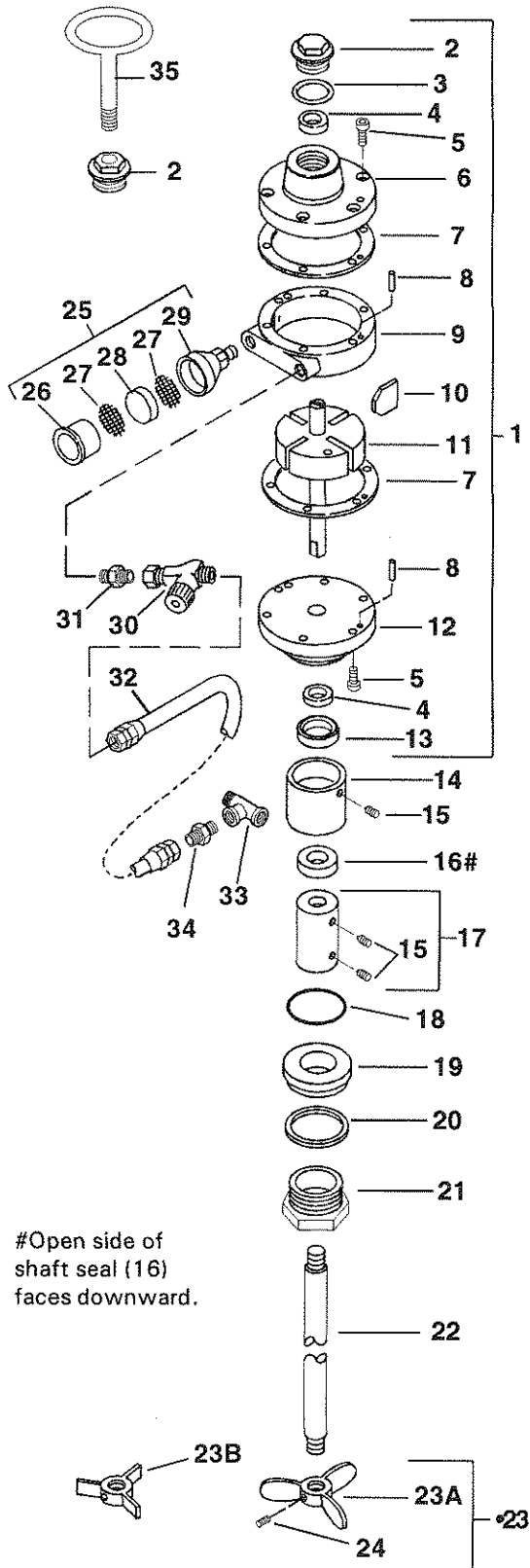


QMG-438 (2 gal.) QMG-439 (5 gal.) & QMG-440 (10 gal.) Agitator Assemblies



#Open side of shaft seal (16) faces downward.

Ref. No.	Replacement Part No.	Description	Ind. Parts Req.
1	PT-410	Air Mtr. Assy. (For QMG-439 & QMG-440)	1
+ 2	QMG-429	Air Mtr. Assy. (For QMG-438)	
	PT-65	End Cap (For PT-410)	1
	QMG-18	End Cap (For QMG-429)	
•+ 3	--	End Cap Gasket	1
+ 4	PT-58	Bearing	2
+ 5	Purchase locally	Screw (1/4"-28 x 1/2")	12
+ 6	--	Front Plate	1
•+ 7	PT-59-K10	End Plate Gasket Kit (Kit of 10)	2
+ 8	QS-189-1-K10	Dowel Pin (Kit of 10)	4
+ 9	--	Body	1
•+ 10	--	Vane	4
+ 11	PT-57	Rotor Assembly	1
+ 12	--	End Plate	1
+ 13	PT-56	Shaft Seal	1
14	PT-50	Air Motor Adapter	1
15	Purchase Locally	Set Screw (1/4"-20 x 1/4")	4
16	KK-5041	Shaft Seal Kit	1
17	QMG-441	Seal Retainer Kit	1
18	SSG-8096-K5	O-Ring Kit (Kit of 5)	1
19	QMG-63	Spacer	1
* 20	QN-102-K6	Gasket Kit (Kit of 6)	1
21	--	Adapter Nut	1
22	QMG-60	Shaft (Use with QMG-439)	1
	QMG-61	Shaft (Use with QMG-440)	
	QMG-62	Shaft (Use with QMG-438)	
* 23	QMG-448	Agitator Propeller Kit	1
23A	--	Propeller, 3"	1
23B	QMS-79	Propeller, 1-1/2" (Optional)	1
24	--	Set Screw (1/4"-20 x 3/8")	1
+ 25	350-401	Muffler Assembly	1
26	--	Body	1
■ 27	--	Screen	2
■• 28	--	Felt	1
29	--	Cap	1
30	HAV-500	Air Adjusting Valve (1/4"NPS(M) X 1/4" NPS(F))	2
31	H-2008	Nipple 1/4"NPS(M) x 1/4"NPT(M)	1
▲ 32	43344-503	Tubing	1
▲ 33	Purchase Locally	Service Tee (2) Galv. (1/4" NPT(F) x 1/4" NPT(M))	1
▲ 34	H-2008	Nipple 1/4"NPS(M) x 1/4"NPT(M)	1
35	QN-97	Handle (use with QMG-438 only)	1

* Three (3) gaskets are shipped with QMG-439.

▲ Ref. Nos. 32, 33 & 34 shipped & used with QMG-439 only.

* Not included with QMG-438. Must be ordered separately.

• Included in KK-5001-1 Air Motor Repair Kit.

■ Ref. Nos. (27) 2 ea. & (28) 4 ea. included in KK-5006 Strainer Screen and Felt Kit.

+ Part of PT-410 Air Motor Assembly.

Figure 1

DESCRIPTION

These agitators utilize an air driven motor to turn an agitator shaft to which a propeller is attached. The rotation of the propeller mixes materials which have a tendency to separate or settle quickly. Material agitation may be performed at the same time material is being pumped from the container to a gun without any adverse effect. The QMG-438 fits in a 2 gallon, QM pressure feed tank. The QMG-439 is designed to fit in a 5 gallon container. The QMG-440 is designed to be used with 10 gallon containers.



Halogenated hydrocarbon solvents — for example: 1,1, 1-Trichloroethane and methylene chloride — can chemically react with the aluminum. If this reaction occurs within an enclosed container such as a pressure feed tank, the tank may explode. Read the label or data sheet for the material you intend to spray. Make sure all your equipment is suitable before using materials containing these solvents.

INSTALLATION

For QMG-438, QMG-439 & QMG-440

1. Remove agitator hole cover or plug assembly from either the container lid or tank lid.
2. Place a gasket (20) over the spacer (19) and insert into the cover or plug hole.
3. Place "O" ring (18) into air motor adapter (14) and tighten nut into adapter.
4. Secure agitator shaft into coupling.
5. Install the propeller (23) on the end of the agitator shaft (22) and secure with a set screw (24).
6. Connect air supply hose to air adjusting valve. Use a moisture and oil separator in main air line near motor.

Note

For QMG-438 Only

SS-1288 nipple and SS-1313 coupling are included with this assembly. These parts are used to raise the air inlet regulator assembly. 1) Remove swivel fitting (existing) from tank lid air inlet. 2) Assemble SS-1288 nipple and SS-1313 coupling into tank lid. 3) Reinstall swivel fitting into SS-1313 coupling. Use pipe thread lubricant (SSA-5002) on all male pipe threads.

SERVICE BULLETIN REVISIONS

Refer to the following chart for Part No./Literature changes

Part No. Changes			Literature Changes
Old Part No.	New Part No.	Interchangeability	
PT-77-K10 End Plate O-Ring KK-5001-2 Air Mtr. Repair Kit	PT-59-K10 End Plate Gasket KK-5001-1 Air Mtr. Repair Kit	Directly Directly	1. Figure 1 revised.

Worldwide Sales and Service - DeVilbiss Industrial Spray Equipment

DeVilbiss has authorized distributors throughout the world. If further assistance is required, write or call one of the following DeVilbiss Distribution Centers or Sales Offices nearest you. **FOR TECHNICAL ASSISTANCE OR THE DISTRIBUTOR NEAREST YOU, CALL TOLL FREE 1-800-338-4448 (U.S. AND CANADA ONLY).** For local calls, see listing below.

U.S./Canada Customer Sales & Service Office
Maumee, OH 43537

Address
1724 Indian Wood Circle

Telephone No.
General Inquiry (419) 891-8200
Toll Free Fax 1-800-338-0131

DeVilbiss

2/98

© Copyright 1998,

DeVilbiss

Printed in U.S.A.

Note

A moisture and oil separator should be installed in the main air line to protect the pump and agitator motors from moisture as well as keeping moisture from mixing with the material being sprayed.

Installation for QMG-439 only

7. Follow procedures 1-6 except place another gasket (20) over the adapter nut (21) before tightening nut into adapter.

Note

A third gasket (20) is furnished with QMG-439 for use as a spacer to raise the agitator if the propeller rubs on the bottom of the container.

8. Connect the tubing assembly (31) to the air adjusting valve.
9. Install the service tee (33) in the main air supply line to the pump between the air pressure regulator and the moisture and oil separator.
10. Install the nipple (31) in the tee (33) and connect the remaining end of the tubing assembly (31) to the nipple.

OPERATION

Turn the handle of the air adjusting valve (30) counterclockwise to set the desired agitator speed. Operate the agitator at the minimum speed required to keep the material thoroughly mixed.

PREVENTIVE MAINTENANCE

Clean the agitator shaft (22) and propeller (23) with solvent at the end of the day. Do not allow paint or material to harden on the shaft or propeller. Lubricate the air motor at the end of each day by adding 4 or 5 drops of SAE 20 oil to the oiler in the top of the motor.

Occasionally remove and clean the air muffler strainer felt (28) or replace, if necessary.

WARRANTY

This product is covered by DeVilbiss' 1 Year Limited Warranty. See SB-1-000 which is available upon request.