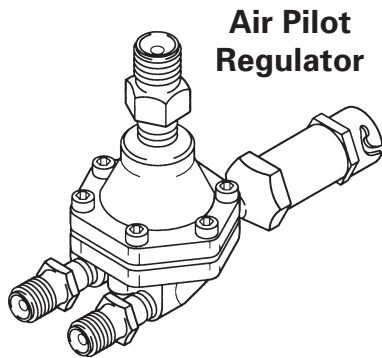
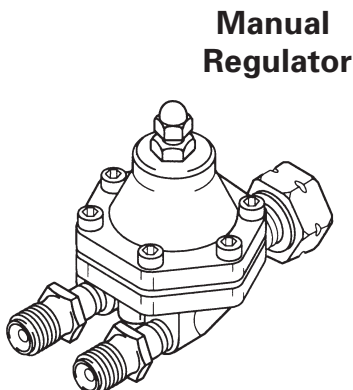
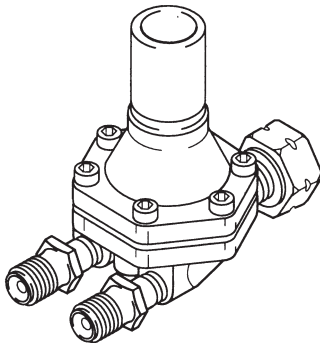


## HGS STAINLESS STEEL FLUID REGULATORS

**IMPORTANT: Read and follow all instructions and safety precautions before using this equipment. Retain for future reference.**



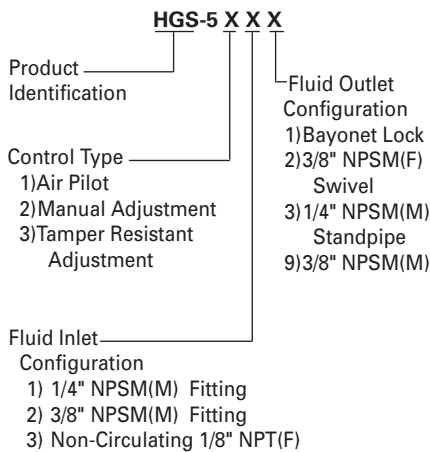
**Tamper Resistant Regulator**



### GENERAL

This service bulletin covers installation, operation, preventive maintenance, parts replacement, and accessory items for HGS Fluid Regulators.

### MODEL IDENTIFICATION

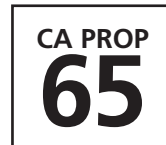


### DESCRIPTION

HGS Fluid Regulators provide regulation of fluid to the spray gun without stopping the flow of material which can cause setting of pigmented materials.

### NOTE

These regulators may be used with materials containing chlorinated solvents.



### PROP 65 WARNING

**WARNING:** This product contains chemicals known to the State of California to cause cancer and birth defects or other reproductive harm.

### MODEL CHART

**MODELS**

HGS-5112  
 HGS-5113  
 HGS-5122  
 HGS-5132  
 HGS-5133

HGS-5211  
 HGS-5212  
 HGS-5221  
 HGS-5222  
 HGS-5231  
 HGS-5232  
 HGS-5233  
 \* HGS-5239  
 \*\* HGS-5242

HGS-5312  
 HGS-5313  
 HGS-5321

CONTROL	FLUID INLET				FLUID OUTLET			
	CIRC.		NON-CIRC.		Bayonet	3/8" Swivel	Standpipe	3/8" NPSM(M)
	1/4" NPSM(M)	3/8" NPSM(M)	1/8" NPT(F)	3/8" NPSM(F)				
Air Pilot								
Manual Adjust.								
Tamper Res.								
HGS-5112								
HGS-5113								
HGS-5122								
HGS-5132								
HGS-5133								
HGS-5211								
HGS-5212								
HGS-5221								
HGS-5222								
HGS-5231								
HGS-5232								
HGS-5233								
* HGS-5239								
** HGS-5242								
HGS-5312								
HGS-5313								
HGS-5321								

\* Manual, non-circulating, single gun fluid regulator, primarily used in conjunction with fluid pumps or dead end systems.

\*\* Manual, non-circulating, can be attached to gun inlet or in line. **Note:** If used in color change applications or with catalyzed materials, plug (24) must be removed and the threads cleaned periodically.

**SAFETY PRECAUTIONS**

This manual contains information that is important for you to know and understand. This information relates to USER SAFETY and PREVENTING EQUIPMENT PROBLEMS. To help you recognize this information, we use the following symbols. Please pay particular attention to these sections.



**Important safety information -- a hazard that may cause serious injury or loss of life.**



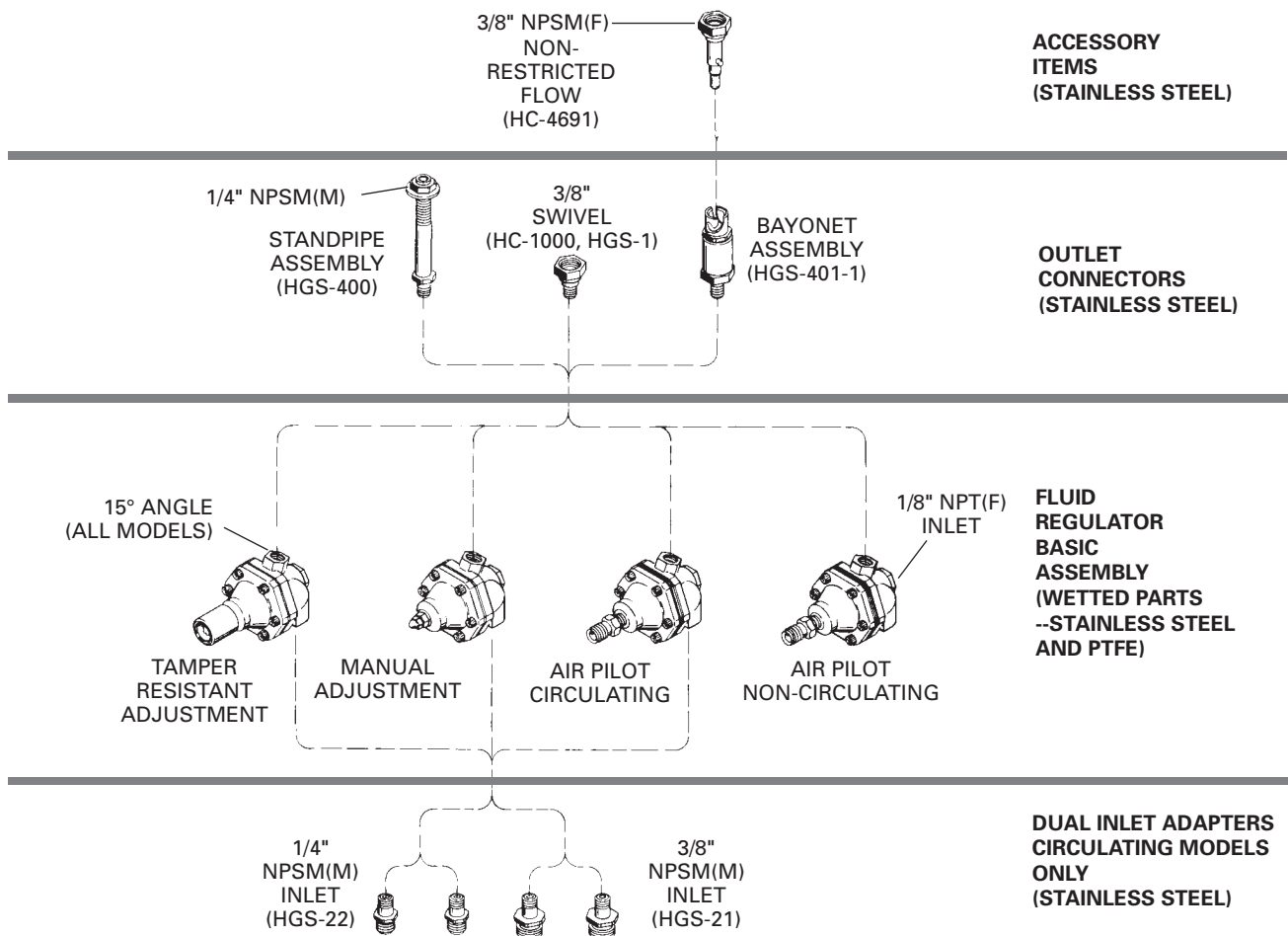
**Important information that tells how to prevent damage to equipment, or how to avoid a situation that may cause minor injury.**

**NOTE**

Information that you should pay special attention to.

**MODEL NUMBER TO REGULATOR BODY CROSS REFERENCE CHART**

Model Number	Body Number (Less Fittings)
HGS-5112, HGS-5113, HGS-5122	HGS-452
HGS-5132, HGS-5133	HGS-453
HGS-5211, HGS-5212, HGS-5221, HGS-5222	HGS-451
HGS-5231, HGS-5232, HGS-5233, HGS-5239	HGS-455
HGS-5312, HGS-5313, HGS-5321	HGS-450
HGS-5242	HGS-461



**TECHNICAL DATA**

		<b>PSI</b>	<b>(bar)</b>
Fluid Inlet Pressure	Min. Max.	50 300	(3.5) (20.7)
Regulated Fluid Pressure Range	Min. Max.	2 100	(0.14) (6.9)
*Typical Flow Rates		150 to 2500 cc's/minute	
		<b>oz's</b>	<b>(grams)</b>
Average Unit Weight Models - Swivel		7.3	(210)
- Tamper Resist		7.9	(225)
- Standpipe		9.3	(265)
- Bayonet		9.7	(275)
<b>Fluid</b>		<b>oz's</b>	<b>(ml)</b>
Static Content Models - Circulating		0.25	(7)
- Non-circulating		0.20	(5)
Wetted Parts	303 and 416 Stainless Steel, PTFE		
Models	17 models offered as standard		

\*Dependent upon viscosity and specific gravity of material. Above information based upon testing with mineral oil with viscosity of 24 seconds #4 Ford, and specific gravity of 0.84.

®Registered trademark of Dupont.

**INSTALLATION**

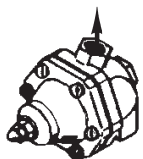
**WARNING**

**Risk of hazardous bursting or equipment damage. Do not exceed 300 PSI (21 bar) maximum fluid inlet pressure to regulator.**

**CAUTION**

**These regulators may be used with most common coating and finishing materials. However, they are not designed for use with highly abrasive materials. If used with abrasive materials, frequent and thorough cleaning will be required, and replacement of parts will be increased.**

- Where possible, mount the HGS regulator as shown below with the fluid outlet facing up. This will prevent trapped air from causing erratic operation. Trapped air can result from an "air push" during a color change cycle, or entrapped air in the paint.



Fluid outlet should face upward.

- Connect fluid inlet supply hose.

Circulating Models

Connect the fluid supply hose to either fluid inlet adapter (53 or 54). Connect the return line to the other adapter (53 or 54).

Non-Circulating Models

Connect the fluid supply hose to inlet of plug (23 or 40).

- Connect fluid outlet.

Bayonet Regulators

Attach the bayonet lock body (41) to the bayonet quick disconnect stem at the spray gun fluid inlet.

3/8" Swivel Regulators

Thread swivel nut (49) onto fluid inlet of spray gun body.

Standpipe Regulators

Attach fluid supply hose from spray gun to bulkhead fitting (52).

- Connect air inlet.

Air Pilot Regulators

Attach regulated air supply to connector (25).

**OPERATION**

**WARNING**

**Risk of hazardous bursting or equipment damage. Do not exceed 300 PSI (21 bar) maximum fluid inlet pressure to regulator.**

Fluid pressure adjustment range is from 2 psi to 100 psi (0.1 bar to 6.9 bar). Fluid pressure to regulator inlet is 300 psi (20.7 bar) maximum and 50 psi (3.5 bar) minimum.

To Regulate Fluid Pressure on Manual Adjust Models

- Remove cap nut (1) and loosen lock nut (2).
- With a 3/32 inch hex key allen wrench, adjust hex key allen set screw (3) for desired pressure setting. Turn set screw (3) clockwise to increase and counterclockwise to decrease pressure.
- Retighten lock nut (2) after desired pressure setting has been established. Replace and tighten cap nut (1).

To Regulate Fluid Pressure on Tamper Resistant Models

- Using T-handle (4B), loosen lock (6).
- Engage adjusting screw (5) with torx key (4A) and turn adjusting screw until desired pressure setting is reached. Turn torx key clockwise to increase pressure and counterclockwise to decrease pressure.
- Using the torx key, hold adjusting screw (5) from turning and tighten lock (6) with the T-handle (4B).

To Regulate Fluid Pressure on Air Pilot Models

Fluid pressure is controlled by means of air pressure. **To actuate fluid flow, a minimum of 12-14 psi air pressure must be applied to the bonnet.** Attach one end of regulated air line to connector (25) and the other end of the air line to a remote regulator. Increase air pressure to increase fluid pressure, and decrease air pressure to decrease fluid pressure.

Fluid pressure remains constant unless air pilot regulator setting is altered.

**PREVENTIVE MAINTENANCE**

Cleaning

**CAUTION**

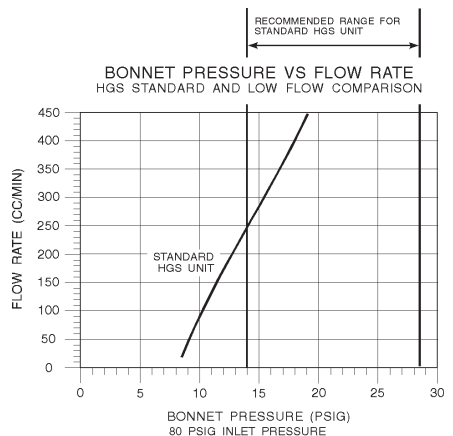
**Total submersion of the fluid regulator in solvent for cleaning purposes will shorten the life expectancy of the diaphragm.**

The frequency with which the fluid regulator should be cleaned will be the same as the rest of the system in which it is being used.

Bayonet Models

When spray gun is removed from service and fluid regulator is not going to be used for a period of time, the bayonet end should immediately be soaked in solvent. **Do not submerge the entire regulator.**

This will avoid hardening of material around the ball and seat which may cause leakage when regulator is put back in service. The soaking container should be an approved closed container if hazardous solvents are used.



**TEST MATERIAL**  
MINERAL OIL  
SPECIFIC GRAVITY = 0.855  
VISCOSITY = 24 SEC.  
FORD #4

**MANUAL FLUID REGULATOR BODY ASSEMBLIES HGS-450, HGS-451, HGS-455, HGS-461**

Ref. No.	Replacement Part No.	Description	Ind. Parts Req.
1	---	Cap Nut #10-32	1
2	---	Nut #10-32	1
3	---	Hex Key Allen Set Screw, #10-32 x 3/4"	1
#4	KK-5047	T-Handle Kit (Order Separately)	
4A	---	Torx Key	1
4B	---	T-Handle	1
5	---	Torx Screw 10-32 Thd.	1
6	HGS-36	Lock	1
7	HGS-34	Guard	1
8	SSF-3169-K6	Socket Head Cap Screw, S.S. #8-32 x 3/8" (Kit of 6)	6
9	HGS-5	Bonnet	1
10	HGS-28	Adjustment Seat	1
11	HGS-30	Regulator Spring	1
*12	---	Hex Nut #6-32	1
*13	---	Upper Plate	1
*14	HGS-12-K5	Gasket (Kit of 5)	1
*15	HGS-20-1	Diaphragm, PTFE	1
*16	SSN-57	Washer, PTFE	1
17	SSN-54	Flat Washer	1
18	HGS-8	Regulator Body, Non-Circulating	1
	HGS-59	Regulator Body, Non-circulating, for Model HGS-5242	1
19	HGS-7	Regulator Body, Circulating	1
*20	HGS-43-K5	Valve Seat, PTFE, Std. Flow (Kit of 5)	1
21	HGS-44	Valve Stem, Std Flow	1
*22	SSG-8144	O-ring, PTFE	1
23	HGS-27	Plug, Non-Circulating	1
+24	HGS-26	Plug, Circulating	1
*	QH-130	Loctite	1

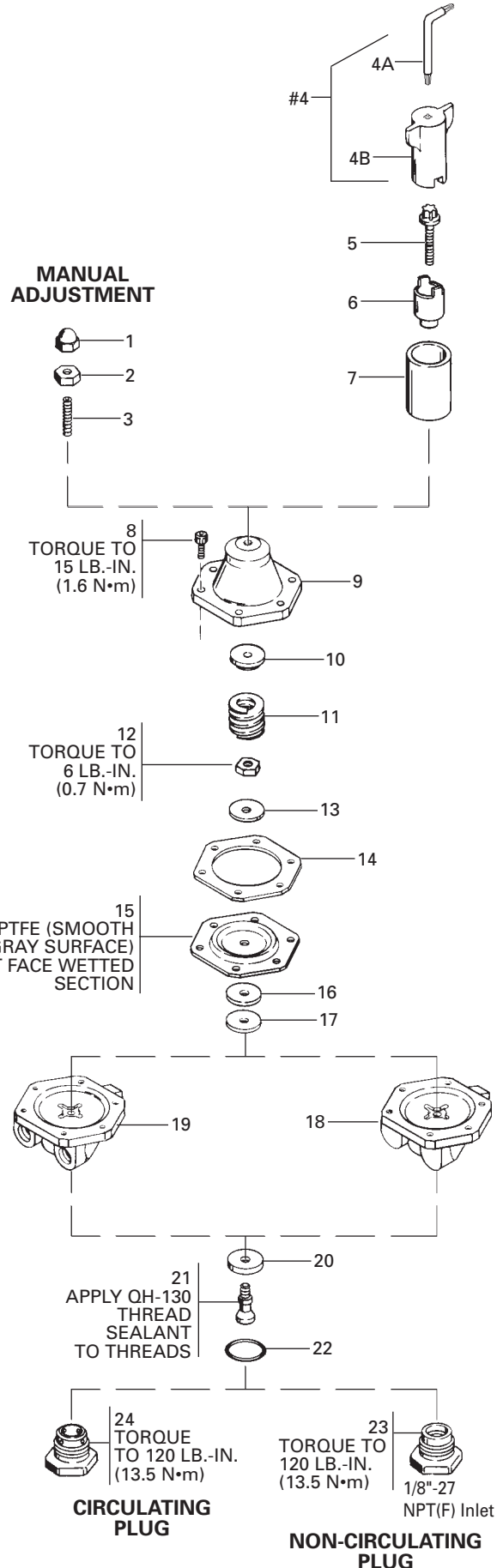
Dual Inlet Fittings supplied with regulator (see page 8).  
 Manual Adjustment Fluid Regulator includes items 1 through 3 and 8 through 24.  
 Tamper Resistant Fluid Regulator includes items 5 through 24.

**# To maintain the "tamper-proof" security feature, the KK-5047 T-Handle is not included with each regulator, as one T-Handle will service multiple regulators.**

**NOTE: KK-5047 T-Handle must be purchased separately.**

Suffix -K5 designates kits of multiple parts.  
 \* Parts included in Regulator Repair Kit KK-4456 (Std Flow).  
 + HGS-5242 Model uses the circulating plug.

**TAMPER RESISTANT**



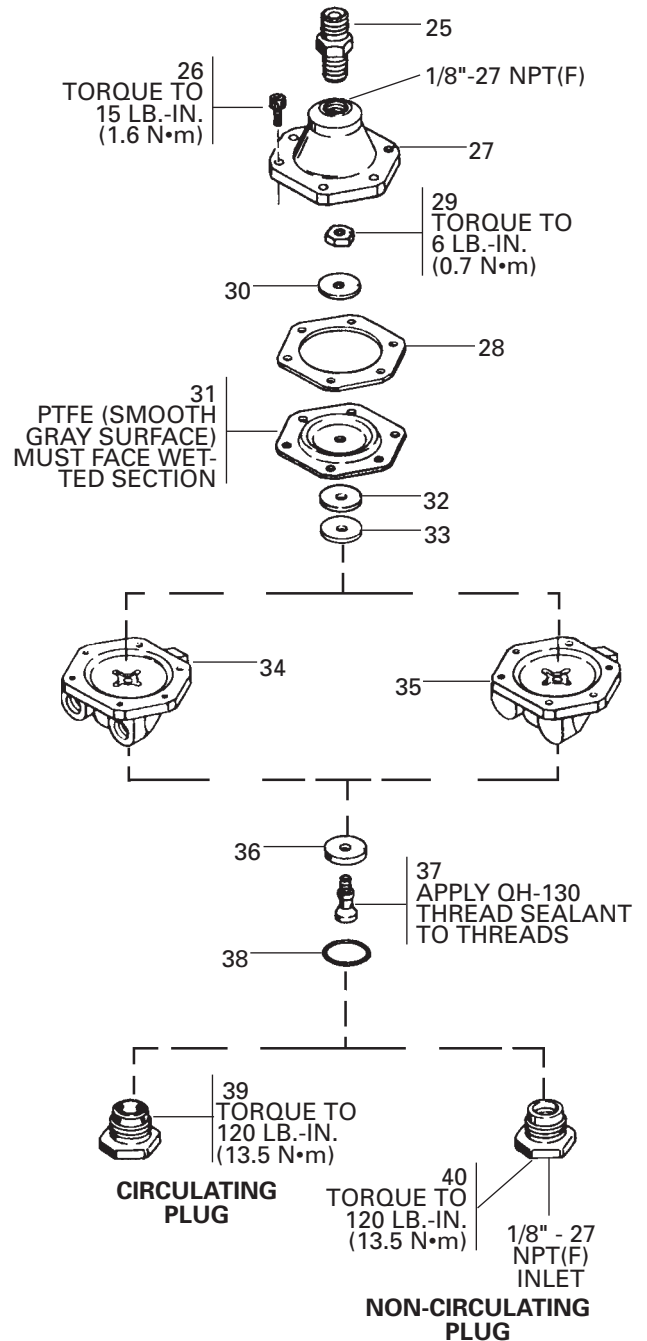
**AIR PILOT FLUID REGULATOR BODY ASSEMBLIES HGS-452 AND HGS-453**

Ref. No.	Replacement Part No.	Description	Ind. Parts Req.
25	H-1766	Connector 1/8" NPT(M) x 1/4" NPSM(M)	1
26	SSF-3169-K6	Socket Head Cap Screw, S.S. #8-32 x 3/8" (Kit of 6)	6
27	HGS-4	Bonnet	1
*28	HGS-12-K5	Gasket (Kit of 5)	1
*29		Hex Nut #6-32	1
*30		Upper Plate	1
*31	HGS-20-1	Diaphragm, PTFE	1
*32	SSN-57	Washer, PTFE	1
33	SSN-54	Flat Washer	1
34	HGS-7	Regulator Body, Circulating	1
35	HGS-8	Regulator Body, Non-Circulating	1
*36	HGS-43-K5	Valve Seat, PTFE (Kit of 5)	1
37	HGS-44	Valve Stem	1
*38	SSG-8144	O-ring, PTFE	1
39	HGS-26	Plug, Circulating	1
40	HGS-27	Plug, Non-Circulating	1
*	QH-130	Loctite	1

Dual Inlet Fittings supplied with regulator (see page 8).  
 Air Pilot Fluid Regulator, Circulating, includes items 25 through 34 and 36 through 39.

Air Pilot Fluid Regulator, Non-Circulating, includes items 25 through 33, 35 through 38 and 40.

Suffix -K5 designates kits of multiple parts.  
 \*Parts included in Regulator Repair Kit KK-4456.

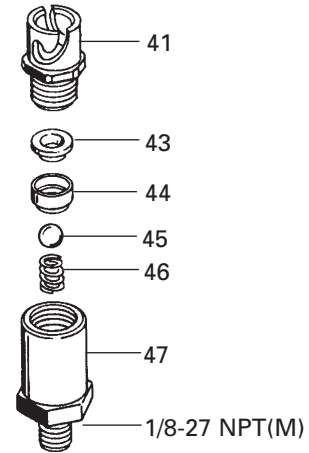


**FLUID OUTLET CONNECTORS**

Ref. No.	Replacement Part No.	Description	Ind. Parts Req.
41	HC-370-1	Bayonet Lock Body	1
42	---	Not Used	
*43	---	Stem Seal	1
*44	---	Ball Seat	1
*45	---	Stainless Steel Ball 7/16" Diameter	1
*46	---	Spring	1
47	HGS-25	Bayonet Body	1

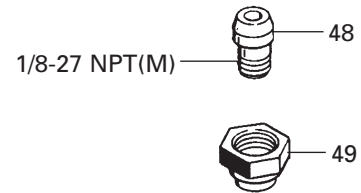
\*KK-5061 Repair Kit

**HGS-401-1  
Bayonet  
Assembly**



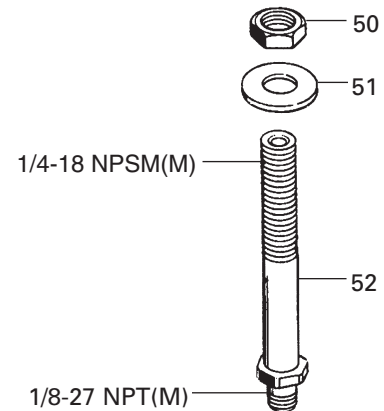
Ref. No.	Replacement Part No.	Description	Ind. Parts Req.
48	HGS-1	Tail Piece	1
49	HC-1000-K5	Swivel Nut 3/8" NPS(F) (Kit of 5)	1

**Swivel Adapter**



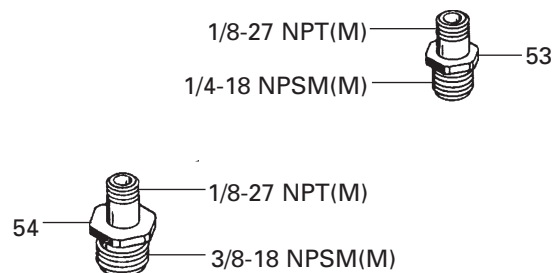
Ref. No.	Replacement Part No.	Description	Ind. Parts Req.
50	MBD-11-K5	Lock Nut (Kit of 5)	1
51	---	Lock Washer, Shake- Proof, 9/16)	1
52	---	Bulkhead Fitting	1

**HGS-400  
Stand Pipe**



**FLUID INLET ADAPTERS**

Ref. No.	Replacement Part No.	Description	Ind. Parts Req.
53	HGS-22	1/4" Stainless Steel Inlet Adapter	2
54	HGS-21	3/8" Stainless Steel Inlet Adapter	2



**NOTE**

Use a PTFE based thread sealant on the threads of inlet adapters (53 and 54), and threads of fittings on outlet connectors (47, 48 and 52).

SERVICE

**WARNING**

**Pressurized parts cause a risk of injury if disassembled. Shut off and relieve pressure before disconnecting hoses from the fluid regulator.**

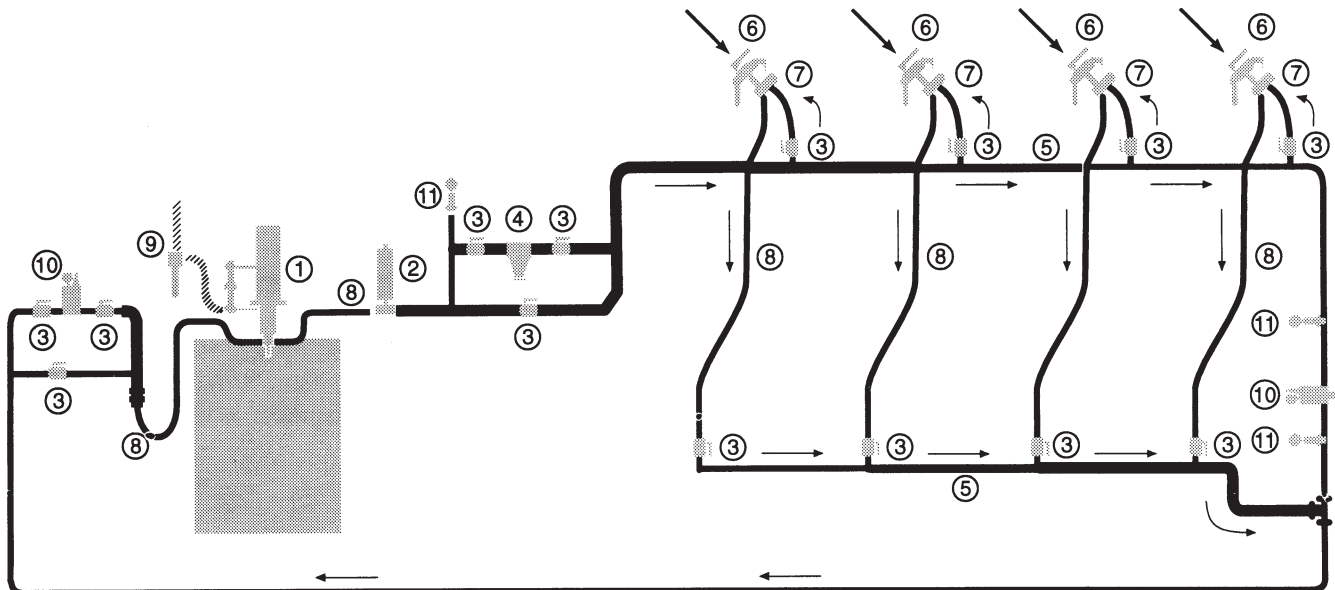
Cleaning or servicing is required if the regulator does not: regulate fluid, maintain its pressure setting, or leaks fluid. To service regulator, relieve pressures, disconnect regulator from spray gun and hoses from regulator. Disassemble regulator; refer to exploded views. Clean and inspect parts carefully. Replace worn or damaged parts and reassemble regulator.

**TROUBLESHOOTING CHART**

PROBLEM	CAUSE	REMEDY
<b>No flow or insufficient pressure regulation</b>	Plugged fluid path Defective diaphragm	Disassemble and clean fluid passages. Replace diaphragm (Ref. 15 or 31).
<b>Excessive fluid flow</b>	Worn seat Worn stem Material viscosity low	Replace seat (Ref. 20 or 36). Replace stem (Ref. 21 or 37). Check material viscosity.
<b>Material leaking under bonnet</b>	Bonnet screws (SSF-3169) have come loose	Check screw torque. specifications.
<b>Pressure creep</b>	Foreign material or dirt on seat or stem Worn seat Worn stem	Clean seat and stem. Replace seat (Ref. 20 or 36). Replace stem (Ref. 21 or 37).
<b>Erratic fluid pressure</b>	Air trapped in regulator body	Mount regulator in a vertical position; input port at bottom, output port at top.

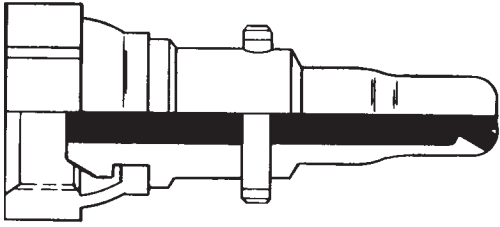
**TYPICAL MANUAL SPRAY GUN SYSTEM**

**Circulating Loop With Graduated Return Lines**



- |  |  |
|--|--|
| ① Pump Assembly/Low Ratio                    | ⑦ Gun Mounted, HGS Fluid Regulator           |
| ② Pulsation Chamber                          | ⑧ Fluid Hose Assembly                        |
| ③ Fluid Shut-Off Valve                       | ⑨ Oil and Moisture Separator/Extractor Dryer |
| ④ Filter/Fluid Outlet                        | ⑩ Back Pressure Regulator/Low Pressure       |
| ⑤ Graduated Supply and Returns Lines         | ⑪ Pulsation Proof Gauge                      |
| ⑥ Air Atomized Spray Gun/Manual or Automatic |  |

**ACCESSORY ITEMS**



**HC-4691 — 3/8" NPSM(F) STEM, STAINLESS STEEL**

Unrestricted fluid passage, for use with standard spray gun.

**WARRANTY**

This product is covered by DeVilbiss' 1 Year Limited Warranty.

---

**DeVilbiss Sales and Service: [www.devilbiss.com](http://www.devilbiss.com)**

---

**DeVilbiss**

DeVilbiss has authorized distributors throughout the world. For technical assistance or the distributor nearest you, see listing below.

**U.S.A./Canada Customer Service Office:**

195 Internationale Blvd., Glendale Heights, IL 60139  
Toll-Free Telephone: 1-800-992-4657 (U.S.A. and Canada only)  
Toll-Free Fax: 1-888-246-5732

**DeVilbiss Automotive Refinishing**

DeVilbiss has authorized distributors throughout the world. For equipment, parts and service, check the Yellow Pages under "Automotive Body Shop Equipment and Supplies." For technical assistance, see listing below.

**U.S.A./Canada Customer Service Office:**

11360 S. Airfield Road, Swanton, OH 43558  
Toll-Free Telephone: 1-800-445-3988 (U.S.A. and Canada only)  
Toll-Free Fax: 1-800-445-6643

