

NEW

FLG4

PRESSURE FEED

HIGH TRANSFER EFFICIENCY FOR HVLP SPRAYING APPLICATIONS

VALUE

- Air adjusting valve with gauge

CONSISTENT RESULTS

- Soft uniform spray patterns
- Precision machined air cap & fluid nozzles deliver quality finishes
- HVLP high transfer efficiency

WATERBORNE COMPATIBLE

- Anodized internal passages
- Easy to clean anodized finish
- High grade 303 stainless steel components

Waterborne
Compatible

Order #	Model #	Description	User Price
803692	FLG-574-13	FLG4 Pressure Feed Gun 1.3 mm	\$241.35
803736	FLG-675	FLG4 1.3 & 1.8 mm Pressure Feed Gun and Pressure Cup Kit	\$514.95



Specifications

FLG4

Max Air Pressure:	100 psi
Maximum Fluid Pressure:	100 psi
Gun Body:	Forged Aluminum
Fluid Path:	Anodized Aluminum and Stainless Steel
Fluid Inlet:	3/8" NPS Male
Air Inlet:	1/4" NPS Male
Aircap:	Machined Brass
Gun Weight:	19.43 oz / 551 g

Fluid Tips

Fluid Tip Part No.	Computer No.	Fluid Tip Size (in.)	Fluid Tip Size (mm)	Applications
FLG-332-13K	803051	0.051	1.3	Basecoats, single stage enamels, urethanes, primers, topcoats
FLG-332-15K	803052	0.059	1.5	Heavy bodied primers, topcoats at high fluid flow rates
FLG-332-18K	803053	0.070	1.8	Basecoats, single stage enamels, urethanes, primers, heavy bodied specialty coatings, textured coatings
FLG-332-22K	803054	0.086	2.2	Latex, specialty coatings

Pressure Feed HVLP Air Cap

#4 Air Cap

Inlet Pressure (PSI)	Air Flow (SCFM)	Cap Pressure (PSI)
17	11.5	6
21	13	8
26	15	10

Pressure Feed Kit

803736	FLG-675	803692 FLG-574-13 Pressure Feed Gun with 803236 HAV-512 gauge, 120033 KB-555 Pressure Cup (includes 5 EZ liners), 220019 KB-4006 hose assembly, 803053 FLG-332-18K 1.8 mm fluid tip
--------	---------	---

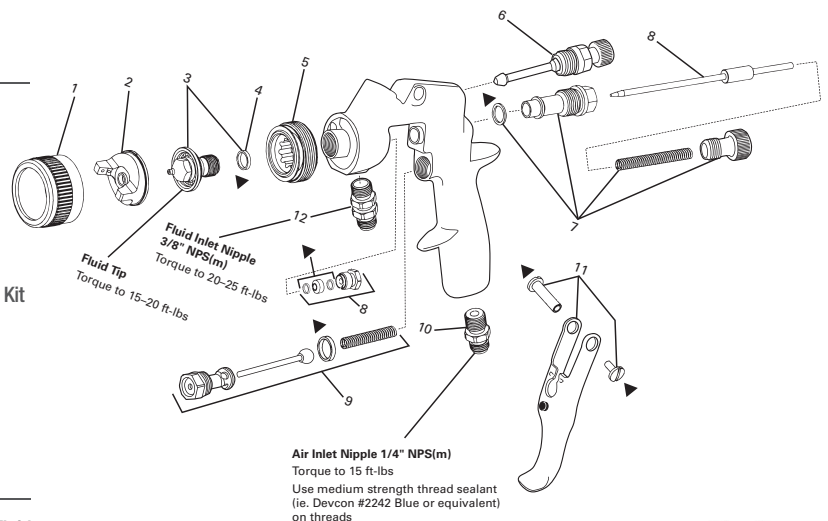
Accessories

120033	KB-555	2qt. Pressure Cup
220019	KB-4006	5' 9" Hose assembly
803236	HAV-512	Air adj. valve & gauge
192025	KK-5051	EZ™ Liner for KB-555 (20 liners)
803053	FLG-332-18K	1.8 mm fluid tip



Parts List

Ref. No.	Comp. Part.No.	Replacement Part No.	Description
1	803055	FLG-332-18K	Retaining Ring
2	803693	FLG-1-4	Air Cap
3	See Fluid Tips Chart		
4	690020	FLG-304-K5	Fluid Tip Seal (Kit of 5)
5	690021	FLG-305	Baffle
6	803528	FLG-465	Spreader Air Adjustment Valve
7	803525	FLG4-364-K	Needle Knob, Spring, Bushing & Gasket Kit
8	803526	FLG4-366-K	FLG4 Needle, Needle Packing & Nut Kit
9	190780	JGS-449-1	Air Valve & Gasket Kit
10	190287	P-MB-51	Air Inlet Nipple
11	191943	JGS-477-1	Trigger, Trigger Stud & Screw
12	191942	JGA-4044	Fluid Inlet & Nut Kit



803527	FLG4-488-K ▼	FLG4 Gun Repair Kit (Contains 1 each: Fluid Tip Seal, Needle Packing, Trigger Stud, Trigger Screw, and Gasket for Air Valve & Needle Bushing.)
--------	--------------	--